

# 3B0070

## High Rate C Cell

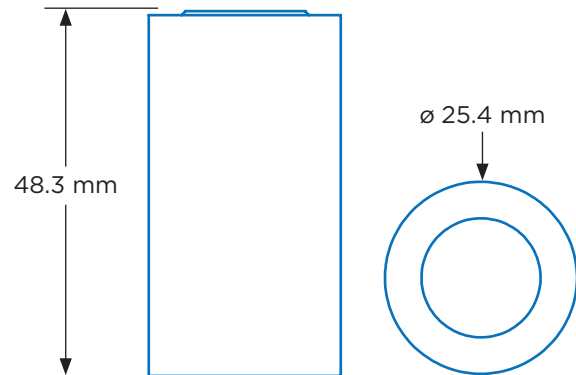
### Lithium Bromine Chloride

## BCX85 Series

### Physical Characteristics

|                               |                  |
|-------------------------------|------------------|
| <b>Chemistry</b>              | Bromine Chloride |
| <b>Construction</b>           | Spiral           |
| <b>Cell Size</b>              | C                |
| <b>Length<sup>1</sup></b>     | 48.3 mm          |
| <b>Diameter<sup>2</sup></b>   | 25.4 mm          |
| <b>Cell Weight</b>            | 52.0 g           |
| <b>Lithium Weight</b>         | 2.1 g            |
| <b>Integrated Safety Fuse</b> | Yes              |

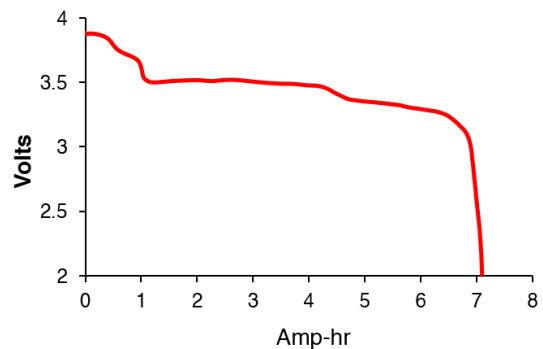
Cell Drawing



### Electrical Characteristics

|                                    |                |
|------------------------------------|----------------|
| <b>Cell Type</b>                   | Primary        |
| <b>Open Circuit Voltage (25°C)</b> | 3.9 V          |
| <b>Nominal Capacity</b>            | 7.1 Ah         |
| <b>Maximum Continuous Current</b>  | 500 mA         |
| <b>Operating Temperature</b>       | -55°C to +85°C |
| <b>Self Discharge Rate</b>         | <3% per year   |
| <b>Storage Temperature</b>         | ≤ 25°C         |
| <b>Discharge Condition</b>         | 50 mA, 23°C    |

Discharge Curve  
50 mA, 23°C



### Key Features

- Primary chemistry (non-rechargeable)
- High rate capability
- Advanced spiral-wound technology
- Stainless steel container
- Hermetic glass-to-metal sealing
- Restricted for transportation (Class 9)
- Custom terminations available

### Main Applications<sup>3</sup>

- Military communications
- Oceanographic buoys and gliders
- Tracking systems
- Sensor systems
- Pipeline inspection gauges
- Beacons, transponders and receivers
- Seismic surveying birds

NOTE: <sup>1</sup> The information on this datasheet is for marketing purposes only. Please consult with Electrochem for more information regarding how our cells will perform within your application. <sup>2</sup> The information in this document is subject to change without notice and does not constitute a warranty of performance. <sup>3</sup> This product and its external electrical contact materials are RoHS compliant. See our "RoHS Statement" for more information. <sup>4</sup> The length dimension was based off of a flat termination. The use of other terminations will impact overall cell length. <sup>5</sup> Diameter measurements include shrink when applicable. <sup>6</sup> The "Main Application" list does not include all potential applications, please consult Electrochem for your application needs.